

DORNIER RELAX+^{ENDO}

Where versatility
meets quality



FOR LITHOTRIPSY



+

FOR ENDOUROLOGY



Why Relax+Endo

Versatile system for seamless integration

Ergonomic design for patient comfort and safety

Proven technology for optimized workflow efficiency

1 Radiolucent carbon fiber

- Promotes operator safety with reduced radiation exposure
- Radiolucence of carbon fiber offers more freedom on patient positioning during imaging

2 Dornier UroTilt

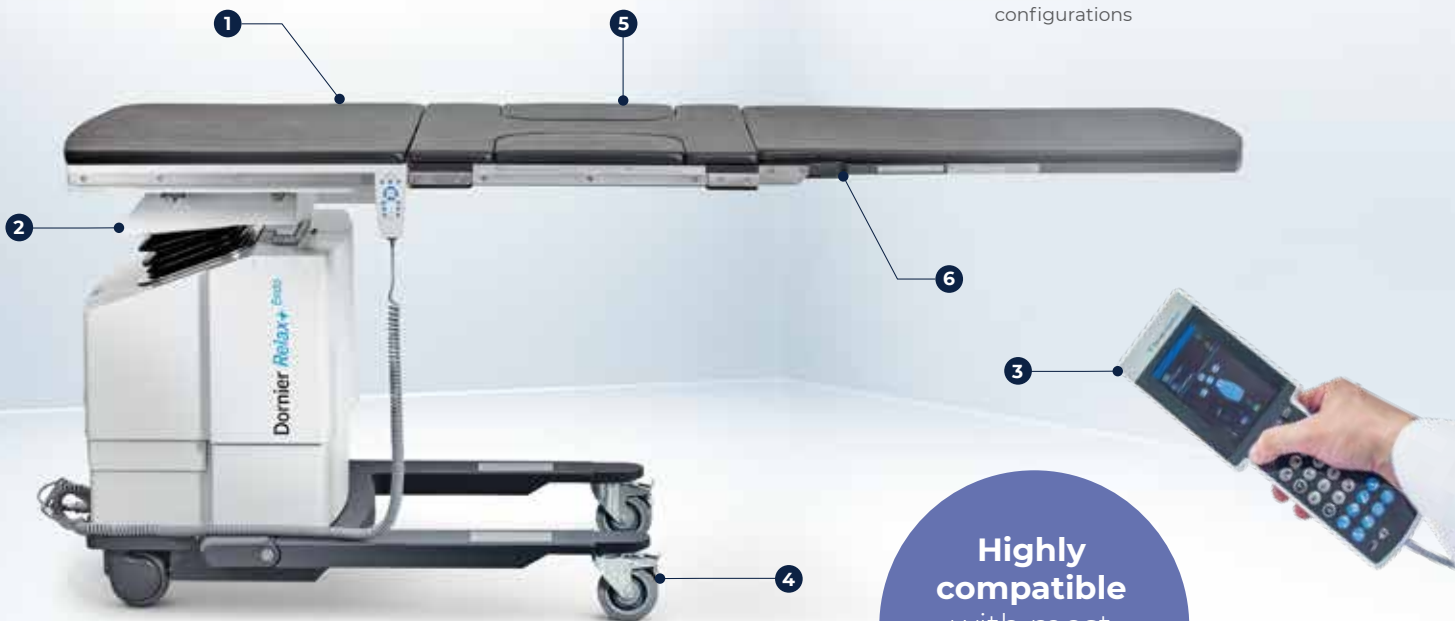
- Enables tilt along the isocentric and non-isocentric axes for patient positioning

3 Unified hand controller

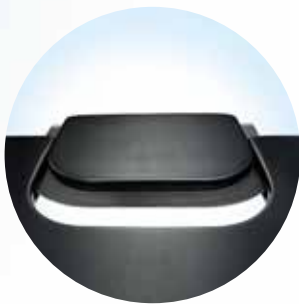
- Facilitates precise patient positioning and table movements with a touch of a button when used with Dornier Delta® III series

4 Portable

- Transports easily; the brake pedal on the side can be set to three different configurations



Highly compatible with most third-party C-arms



5 Modular design with removable sections

- The single, dual or zero cut-out mid-sections make this urology table ideal for lithotripsy and endourology



6 IPX2 drip-proof

- Added protection from water damage, even when tilted at 15°
- Features a protective cover and prevents fluids from leaking into the circuitry
- Essential during endourology procedures

Optional accessories

- I.V. pole
- Arm board with gel pad
- Multi-axis foot pedal
- Head extension
- Arm restraints and leg holders
- Positioning wedge
- Bolster
- Pediatric ESWL insert